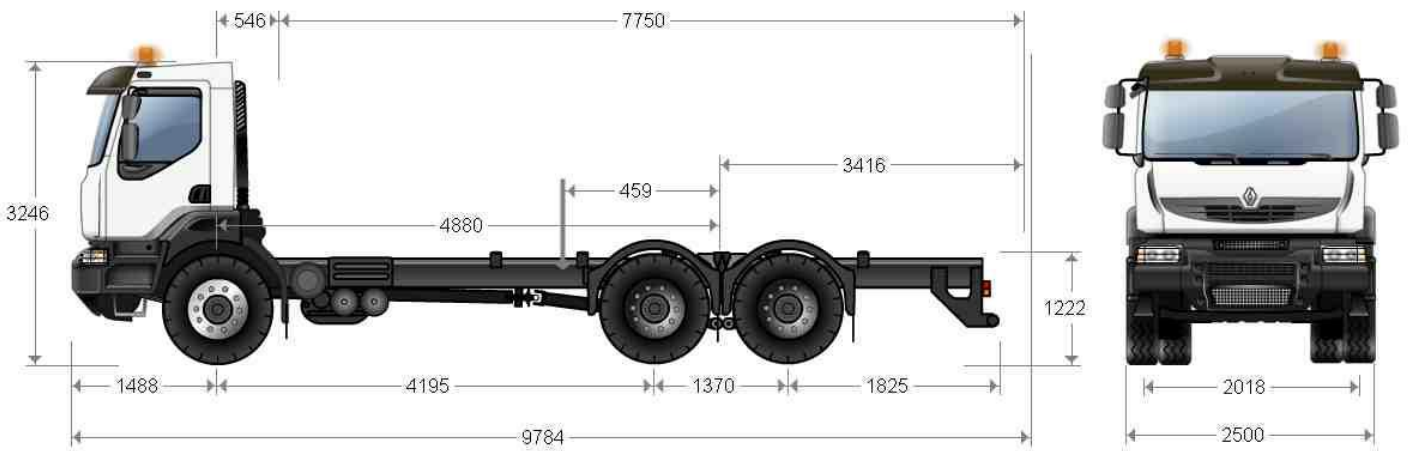


**RENAULT  
TRUCKS  
DELIVER**

**PERSONALISED  
SPECIFICATION  
SHEET**

[www.renault-trucks.com](http://www.renault-trucks.com)

**KERAX 330.35 6X4 XHD  
GVW 40 T**

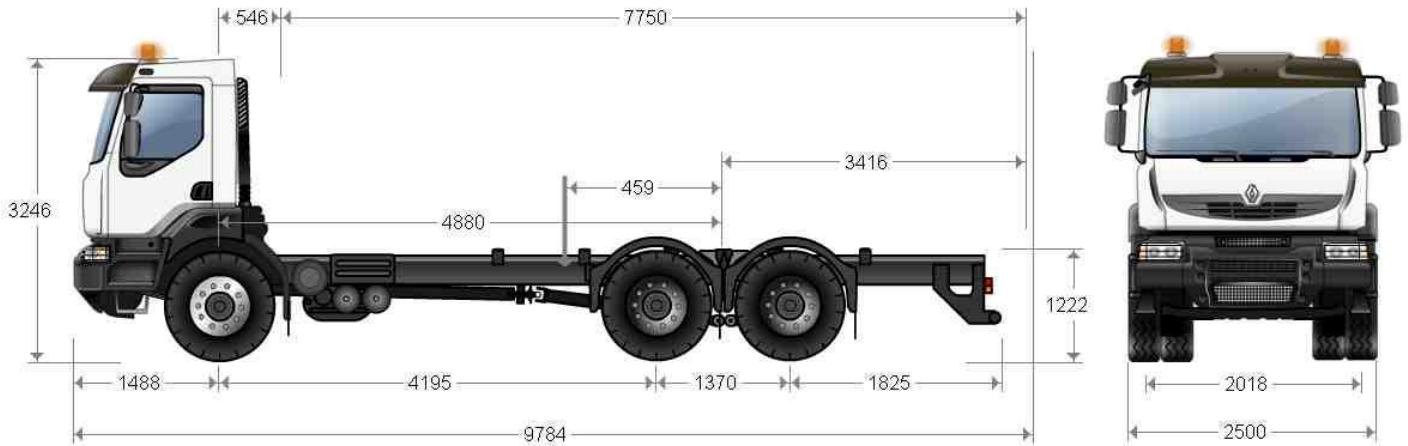


**WEIGHTS**

<b>Wheelbase</b>	<b>mm</b>	<b>4.200</b>
<b>GVW</b>	<b>Kg</b>	<b>40000</b>
<b>Body/Payload Allowance</b>	<b>Kg</b>	<b>25351</b>
<b>Kerb Weight Total</b>	<b>Kg</b>	<b>9649</b>
<b>Kerb Weight Front</b>	<b>Kg</b>	<b>4809</b>
<b>Kerb Weight Rear</b>	<b>Kg</b>	<b>4840</b>
<b>Maximum Front Axle Load</b>	<b>Kg</b>	<b>8000</b>
<b>Rear Axle Max Load</b>	<b>Kg</b>	<b>32000</b>
<b>Rear Axle 1 Max Load</b>	<b>Kg</b>	<b>16000</b>
<b>Rear Axle 2 Max Load</b>	<b>Kg</b>	<b>16000</b>

This table includes the weights of the selected RENAULT TRUCKS options and a FULL tank of fuel. Allowance for driver and passenger weight are NOT included. No representation is made concerning the weights, which are indicative only and subject to manufacturing tolerances.

**PERSONALISED  
SPECIFICATION  
SHEET**



**DIMENSIONS:**

Wheelbase	mm	4.200
Body Length Max (W)	mm	7750
Body Length Min (W)	mm	7085
Max Rear Overhang (X)	mm	3416
Min Rear Overhang (X)	mm	2751
Centre of Gravity of Min Load (Y)	mm	459
Max. Payload Centre of Gravity (Y)	mm	792
Max Overall Length (Z)	mm	9784
Min Overall Length (Z)	mm	9119
Body start position (B)	mm	546
Wheelbase (F)	mm	4195
Technical Wheelbase (F')	mm	4880
Rear Overhang (N)	mm	1825
Chassis Length (A)	mm	8878
Frame height unladen (H2) with standard tyres	mm	1222
Frame height laden (H2) with standard tyres	mm	1172
Front Overhang (H)	mm	1488
Rear Axle Spacing	mm	1370
Cab Width at wings	mm	2500
Track Width Front	mm	2018
Track Width Rear	mm	1874
Width at rear axle	mm	2525
Ground Clearance Front	mm	423
Ground Clearance Rear	mm	373
Largeur du cadre avant	mm	1080
Frame Width Rear	mm	850
Swept Turn Radius	mm	10500
Cab height (unladen) O	mm	3246

This table includes the weights of the selected RENAULT TRUCKS options and a FULL tank of fuel. Allowance for driver and passenger weight are NOT included. No representation is made concerning the weights, which are indicative only and subject to manufacturing tolerances.

## PERSONALISED SPECIFICATION SHEET

### DXi11 ENGINE

**Maximum power: 330hp (243 kW) from 1400 to 1950 rpm.**

**Maximum torque: Nm from 1000 to 1400 rpm 1650.**

6-cylinder in-line diesel engine, turbocharged with INTERCOOLER

High-pressure electronic fuel-injection (2000 bars) by unit injector pumps.

24-valve, overhead camshaft, monobloc cylinder head, timing gear mounted in the rear.

Bore 123 mm - stroke 152 mm - capacity 10.8 litres.

Engine oil capacity: 36 litres.

Steel oil sump.

High-capacity oil filter with disposable cartridge.

Cooling system capacity: 33.5 litres (51 litres with hydraulic retarder).

Controlled starting.

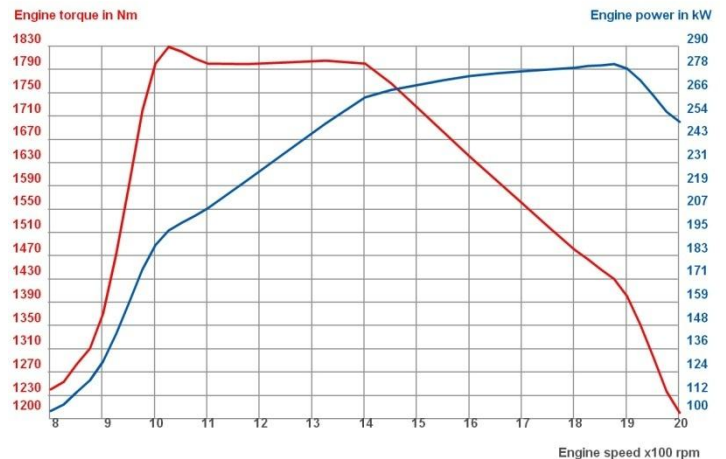
Electronically controlled fan.

Direction of rotation (seen from G/B end): anti-clockwise.

CEE EURO3 pollution control level.

Fuel prefilter and oil separator with bleed control on dashboard, via display menu

Antifreeze protection: - 25 degrees.



### ENGINE EQUIPMENT

Aluminium engine flywheel casing.

Electronic idling control.

Without engine Power Take Off.

Without speed limiter.

### CLUTCH

CLUTCH 430 GD 900 (430 MFZ with Optidriver).

Cerametallic single plate. Air assisted hydraulic actuation.

Automatic adjustment.

### GEARBOX

ZF 16S 1830 TO

16 forward synchronised gears and 2 reverse gears (13.8 - 0.84).

Aluminium casing. Air splitter unit with pre-selection valve on the lever. Super H gear selection grille. Gear change assist by SERVOSHIFT. Cable controls. Economical driving assistance (DMS - Driving Monitoring System).

### RETARDER

Exhaust brake (135 kW at 2100 rpm) controlled and regulated by full-time solenoid valve (between 2 and 7.5 bars).

Retarder coupling to service brake.

### POWER TAKE-OFFS

PTO S81 B.

Outlet : hollow splined shaft for flanged pump.

Rotation : opposite to engine

Torque : 1000 Nm.

Ratios : 0.92:1.09

Position : 15h

### STEERING

Hydraulic steering box with variable step-down power assistance. Integral hydraulic power assisted steering (1 independent circuit and 1 pump).

### AXLE

Load capacity (technical max.) Front axle: 8.0 t.

### REAR DRIVE AXLE

PMR 3361 Tandem axle

32 tonnes capacity, double reduction by bevel gearing and reducers in the hubs (3.46)

Rear axle ratio 20 x 27 (ratio 1.35).

### WHEELS AND TYRES

B.1200 R 24 M840/L355 (+CHAMBRE)

24" steel wheels.

Spare wheel.

Spare wheel with jack, delivered loose.

### BRAKING

#### Service brake:

Electropneumatic braking system - two independent circuits, managed by EBS electronics (Electronic Braking System).

Drum brakes.

**Drum:**Diameter 410 mm.

Front width 175 mm.

## PERSONALISED SPECIFICATION SHEET

Rear width 200 mm.  
 Brake lever 170 mm.  
 Total lining area 14,805 mm<sup>2</sup>.  
 Braking capacity greater than 70 tonnes.  
 Park brake on three axles.  
 Electronic management of air production by APM (Air Product Management):  
 Dryer cartridge optimised by preventive maintenance.  
**Compressor:** APM-controlled twin cylinder 636 cm<sup>3</sup>.  
 Disengageable.  
 Max. flow: 660 litres/min 2000 rpm (compressor).  
 Ratio: 1.31

### Parking brake:

With air control, immobilisation ensured by spring cylinders.  
 Hand brake valve.

### Brake adjustment:

Automatic brake lining slack compensation.

### Emergency brake:

Provided by the parking brake function.

## CAB

### Cab exterior:

All steel Cab, electro-zinc plated and cataphoretic paint treatment.  
 Day Cab (1.6)  
 Cab paint colour: WHITE Glacier  
 Aerated front grille with closing strap.  
 Anti-spray mats  
 Steel 3-part frt moulding integrating a retractable windscreen access step, a grille and radiator protection.  
 Two point mechanical rear cab suspension.  
 Hydraulic cab tilt.  
 2 manually adjustable external rear view mirrors.  
[Wide angle rear view mirror.](#)  
[Kerb view mirror.](#)  
 Air intake ducting on left side of roof.  
 Retractable additional access step to windscreen  
 Access to driving position by 3 steps. 1st steps flexible made of composite material  
 Step lighting.  
[Translucent sunvisor, provision for additional lights.](#)  
 Tinted and laminated windscreen and windows.  
 Rear cab window.  
[2 orange revolving beacons.](#)

### Cab interior:

Normal roof equipped with storage ledge.  
 - 2 ISO modules.  
 Single compartment stowage 50 litres  
[Driver's seat air suspended with seat-mounted safety belt and integrated headrest.](#)  
[Fixed passenger's seat with seat belt.](#)  
 Grab handles  
 Soft door lining  
 Oddments tray in doors.  
 Cab lighting time-delay.

Air blower socket on gearshift console.  
 Cab soundproofing.  
[Air conditioning for dusty conditions.](#)  
 Handbook and Service pack in English Export.  
[Radio CD : Tuner FM / AM, CD player. 2 HP 130mm Woofer, 2 HP19mm Tweeter .](#)  
[Remote controls at steering wheel.](#)

### Steering wheel equipment:

Steering column lock.  
 2-speed windscreen wipers with incorporated wash jets and intermittent wipe.  
[Steering wheel with air controlled height and rake adjustment.](#)

### Instrument panel:

Removable ashtray and cup holders  
 Diesel system purge control (decanter)  
 Raised engine tunnel.

## ELECTRICAL EQUIPMENT

Battery capacity: 170 Ah  
 24V voltage supplied by two batteries.  
 Master switch and fuse box in battery tray.  
 110A Alternator  
 Lighting to EEC standards.  
 Electrical headlamp levelling control.  
 Headlamp protection grille.  
[Rear signalling lighting.](#)  
 Rear lights on dedicated holder.

## CHASSIS

Side member module 300 x 90 x 8 mm.  
 Sidemember reinforcements 5 mm.  
 Standard rear overhang, pre-pierced for bodybuilder.  
 Removable front towing yoke (25 tonnes), can be unlocked by 1/4 turns.  
 Without rear under-run bar .  
 Chassis rear closing crossmember.  
 Engine air filter and cartridge.  
 Chassis frame protection by grey coloured epoxy paint.

## SUSPENSION

### Front suspension

Front parabolic 2-leaf springs (8 t), maintenance free  
 Front anti-roll bar.

### Rear suspension:

Rear semi-elliptic leaf springs.  
 Rear anti-roll bar.  
 Telescopic shock absorbers on middle and rear drive axles.  
 For very uneven road use : 32T capacity  
 8x4 Rigid : 11 leaf elliptic / Rigid & tractor 6x4/6x6 : 9 leaf elliptic  
 For dirt track use : capacity is increased to 38T in 4 leaf parabolic version

**PERSONALISED  
SPECIFICATION  
SHEET**

## FUEL TANK

Main steel f/tank capacity : 315 litres. (255kg of diesel)  
D- shaped 560.

Filler cap locking with key

Heavy duty fuel prefilter (R120), reinforced on chassis.

## STANDARD EQUIPMENT

Side exhaust.

Tool kit.

Warning triangle.

Reversing warning buzzer, including night switch.

## GEARBOX RATIOS

1P	1G	2P	2G	3P	3G	4P	4G	5P	5G	6P	6G	7P	7G	8P	8G
13.80	11.54	9.49	7.93	6.53	5.46	4.57	3.82	3.02	2.53	2.08	1.74	1.43	1.20	1.00	0.84

## PERFORMANCE

Engine speed at 90 km/h: 1878 rpm

Note: No representation given. Dimensions, characteristics and data are approximate and subject to discontinuance, change and improvement without prior notice. Vehicles should be measured and weighed before any bodybuilding work occurs. No contract or binding undertaking is engaged by this document.

## BODYWORK

Standard fastening kit delivered for body mounting and attachment.

Front body mounting brackets.

Bodybuilder access through bulkhead

24V/200A power supply terminal strip in battery tray.

Provision for 7-way round socket under battery tray:

- Power supply after master switch 24V/15A + earth (shared cab).

- Power supply after ignition 24V/15A + earth.

- Side marker lights.

- Trailer module alarm connection.

Chassis air intake for bodybuilder

Bodybuilder BBM electronic box interface bodybuilder expert functions via CAN bus).